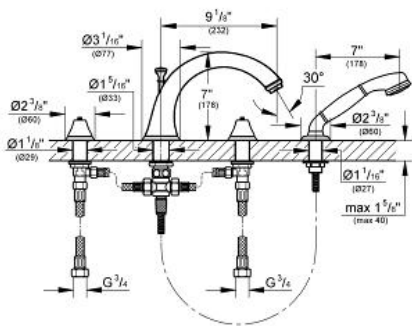


GENEVA
Four-hole bath combination 1/2"
MODEL # 25506000

Pure Freude an Wasser



GROHE America, Inc | 200 North Gary Avenue, Suite G, Roselle, IL 60172
Phone: +1 (800) 444-7643 | Fax: +1 (800) 225-2778 | us-customerservice@grohe.com



Product Description:
Four-hole bath combination 1/2"

Standard Specification:

- Handles sold separately
- 1/2" valves
- Less handles - order Geneva Cross Handles (18 733) or Geneva Lever Handles (18 734) (sold separately)
- **GROHE StarLight** chrome finish
- Max Flow Rate 2.5 gpm at 80 psi (9.5 L/min), 13 gpm at 45 psi (49.2 L/min) for Tub Filler

Applicable Codes & Standards:

- Energy Policy Act of 1992
- ASME A112.18.1/CSA B125.1

Color:

- 25506000 StarLight Chrome

